



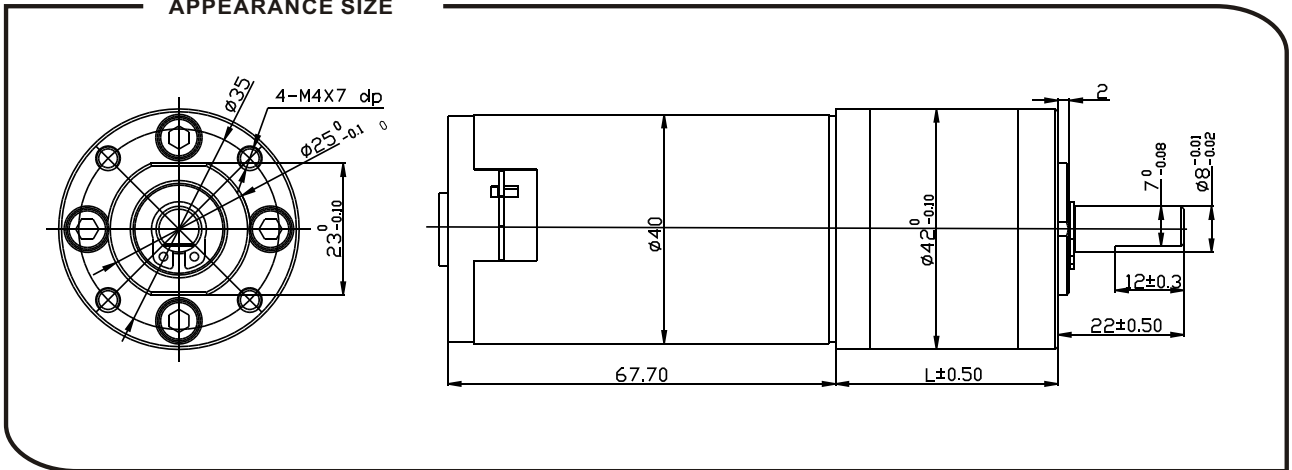
Main voltage: 3VDC, 6VDC, 9VDC, 12VDC, 24VDC.

Typical applications: Auto shutter, Pan/Tilt camera, Slot machine, Money detector, Coin refund devices, Currency count machine, Towel dispensers, Automatic doors, Peritoneal machine, Automatic TV rack, Office equipment, Household appliances, Automatic

Weight: 350~560g/pcs (approx)

Packing details: CTN size: 34X31XH15cm 20pcs/CTN G.W. 11Kgs

APPEARANCE SIZE



Gearbox data:

Number of stages	1 stages reduction	2 stages reduction	3 stages reduction	4stages reduction	5stages reduction
Reduction ratio	3.7, 5.2	13.7, 19.2, 26.9	50.9, 71.2, 99.5, 139,	188, 264, 369, 516, 721,	699, 977, 1367, 1911, 2672, 3736,
Gearbox length "L" mm	26.4	32.6	38.9	45.3	52.5
Max. Running torque	3.0Kgf · cm	6Kgf · cm	8Kgf · cm	12Kgf · cm	20Kgf · cm
Max. Gear breaking torque	9.0Kgf · cm	18Kgf · cm	24Kgf · cm	36Kgf · cm	60Kgf · cm
Max. Gearing efficiency	90%	81%	73%	65%	59%

Motor data:

Motor name	Rated Volt. V	No load		Load torque				Stall torque	
		Current	Speed	Current	Speed	Torque	Output power	Torque	Current
		mA	r/min	mA	r/min	gf · cm	W	gf · cm	A
40ZY123000	12	≤120	3000	≤750	2200	220	4.8	900	2.8
40ZY124500	12	≤190	4500	≤1500	3300	300	9.9	1200	6.0
40ZY126000	12	≤250	6000	≤3000	4500	400	18.0	1600	10
40ZY243000	24	≤80	3000	≤400	2200	220	4.8	900	1.5
40ZY244500	24	≤120	4500	≤800	3300	300	9.9	1200	3.0
40ZY246000	24	≤160	6000	≤1500	4500	400	18.0	1600	5.5

1. This table lists some motors parameters, others please refer to specific parameters of Page 152.

2. After connecting motor and gearbox which is named gearmotor the output torque: motor torque X reduction ratio X gearing efficiency; output speed: motor speed / reduction ratio.